

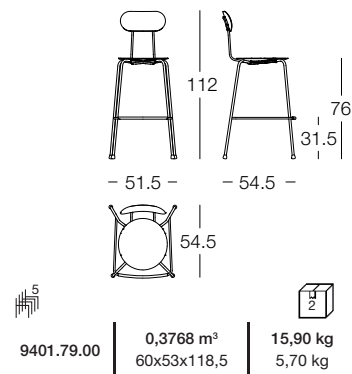
STOOLS

Mariolina

Design Enzo Mari, 2026




Stacking high stool.

Frame in chromed or painted steel tube. Seat and back in polypropylene.



Art. nr.	Frame in steel tube	Seat/ back in polypropylene	Seat/ back clip
SD312	chromed	white 1700 C	grey
SD312	chromed	grey anthracite 1420 C	grey
SD312	chromed	orange 1085 C	beige
SD310	painted white	red bordeaux 1802 C	orange
SD310	painted white	light blue 1803 C	orange
SD310	painted grey anthracite	red bordeaux 1802 C	orange
SD310	painted grey anthracite	light blue 1803 C	orange
SD310	painted white	white 1700 C	grey
SD310	painted grey anthracite	grey anthracite 1420 C	grey

Frame in steel tube

-  chromed
-  painted white
-  painted grey anthracite

Seat/ back in polypropylene

-  white 1700 C
-  grey anthracite 1420 C
-  orange 1085 C
-  light blue 1803 C
-  red bordeaux 1802 C

Seat/ back clip

-  beige
-  grey
-  orange

Test

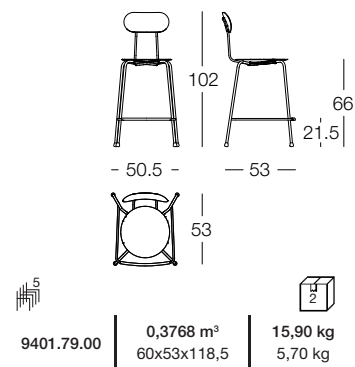
Leg sideways static load test EN 16139:2025, L2
 Seat and back static load test EN 16139:2025, L2
 Safety requirements EN 16139:2025, L2
 Seat and back fatigue test EN 16139:2025, L2
 Seat impact test EN 16139:2025, L2
 Leg forward static load test EN 16139:2025, L2
 Foot rest static load test EN 16139:2025, L2
 Seat front edge durability test EN 16139:2025, L2
 Foot rest fatigue test EN 16139:2025, L2
 Stability EN 1022:2022
 Back impact test EN 16139:2025, L2

Mariolina

Design Enzo Mari, 2026

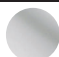


Stacking medium stool.

Frame in chromed or painted steel tube. Seat and back in polypropylene.



Art. nr.	Frame in steel tube	Seat/ back in polypropylene	Seat/ back clip
SD316	chromed	white 1700 C	grey
SD316	chromed	grey anthracite 1420 C	grey
SD316	chromed	orange 1085 C	beige
SD314	painted white	red bordeaux 1802 C	orange
SD314	painted white	light blue 1803 C	orange
SD314	painted grey anthracite	red bordeaux 1802 C	orange
SD314	painted grey anthracite	light blue 1803 C	orange
SD314	painted white	white 1700 C	grey
SD314	painted grey anthracite	grey anthracite 1420 C	grey

Frame in steel tube

-  chromed
-  painted white
-  painted grey anthracite

Seat/ back in polypropylene

-  white 1700 C
-  grey anthracite 1420 C
-  orange 1085 C
-  light blue 1803 C
-  red bordeaux 1802 C

Seat/ back clip

-  beige
-  grey
-  orange

Test
 Leg sideways static load test EN 16139:2025, L2
 Seat and back static load test EN 16139:2025, L2
 Safety requirements EN 16139:2025, L2
 Seat and back fatigue test EN 16139:2025, L2
 Seat impact test EN 16139:2025, L2
 Leg forward static load test EN 16139:2025, L2
 Foot rest static load test EN 16139:2025, L2
 Seat front edge durability test EN 16139:2025, L2
 Foot rest fatigue test EN 16139:2025, L2
 Stability EN 1022:2022
 Back impact test EN 16139:2025, L2