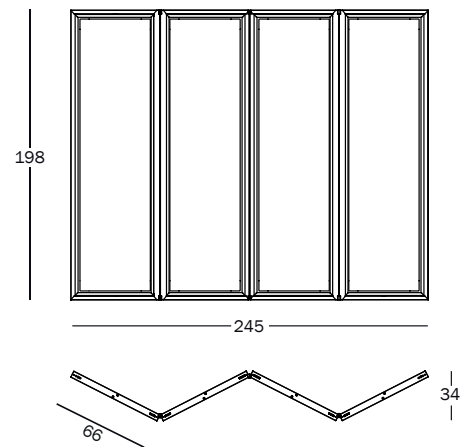


Swing

Design Ron Gilad, 2022

Freestanding screen. Folding.


Frame in extruded anodized aluminum, with 4 sound absorbing panels in flame retardant polyester.




9403.20.80 | 0,349 m³ | 49,60 kg

Art. nr.	Frame in anodized aluminium	Panels in flame retardant polyester
AC570	natural	colours

Frame in aluminium

 anodized natural

Panels in flame retardant polyester colours

 anthracite

 beige

 light blue