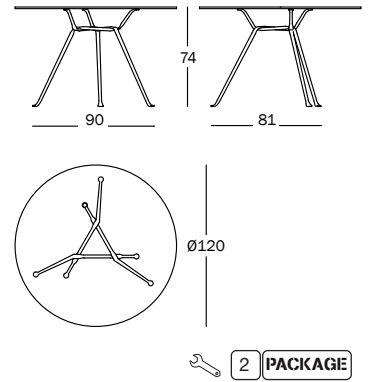


Officina Table

Design Ronan & Erwan Bouroullec, 2015


Table Ø 120 cm.

Frame in wrought iron painted in polyester powder. Top in glass or in solid American walnut.




| Art. nr. | Frame in wrought iron | Top |
|---------------|-----------------------|-----------------|
| TV2061 TV2071 | grey anthracite 5142 | smoked glass |
| TV2061 TV2067 | grey anthracite 5142 | American walnut |

Frame in wrought iron

 grey anthracite 5142

Top

 smoked glass

 American walnut

Top thickness

smoked glass: 12 mm

American walnut: 25 mm