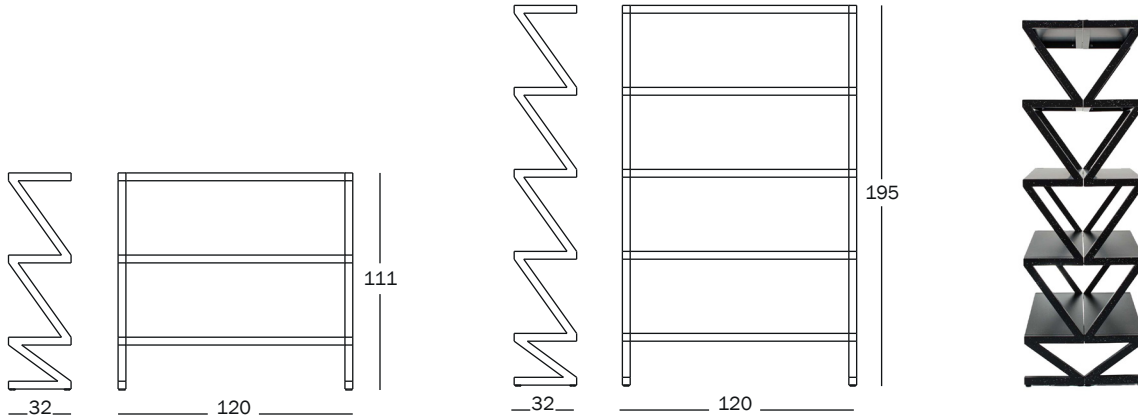


Bureaurama — design Jerszy Seymour, 2018
Technical Sheet

Shelving System

Material: Uprights in steel tube painted in polyester powder and shelves in steel plate painted in polyester powder. Flame retardant. Available in two heights.

Magis logo is stamped on each product of our collection vouching for their originality.



Matt colour
Black Splattered White



magisdesign.com