

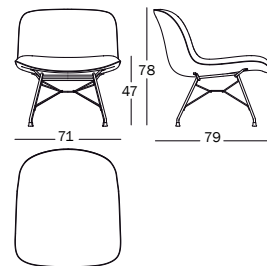
## Troy

Design Marcel Wanders, 2019

### Low chair.

Frame in steel rod gold or copper coated or painted in polyester powder.

Cushions in expanded polyurethane (class 11M) with removable cover in fabric.



9401.71.00

0,549 m<sup>3</sup>



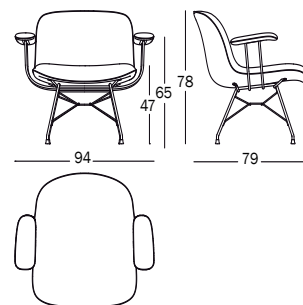
19,50 kg

Art. nr.	Frame in steel rod	Upholstery
SD5203	colours cat.1	fabric cat.1
SD5204	colours cat.2	fabric cat.1
SD5205	colours cat.1	fabric cat.2 + moodboard
SD5206	colours cat.2	fabric cat.2 + moodboard

### Low chair with arms.

Frame in steel rod gold or copper coated or painted in polyester powder.

Cushions in expanded polyurethane (class 11M) with removable cover in fabric.



9401.71.00

0,729 m<sup>3</sup>



24,20 kg

Art. nr.	Frame in steel rod	Upholstery
SD5213	colours cat.1	fabric cat.1
SD5214	colours cat.2	fabric cat.1
SD5215	colours cat.1	fabric cat.2 + moodboard
SD5216	colours cat.2	fabric cat.2 + moodboard

#### Frame in steel rod cat.1



gold

#### Frame in steel rod cat.2



white 5011

#### Fabric cat.1

Velvet

#### Fabric cat.2

Kvadrat Divina MD  
Kvadrat Divina Melange

#### Fabric

Moodboard A  
Moodboard B  
Moodboard C  
Moodboard D  
Moodboard E



Information on customer's own material from p.397