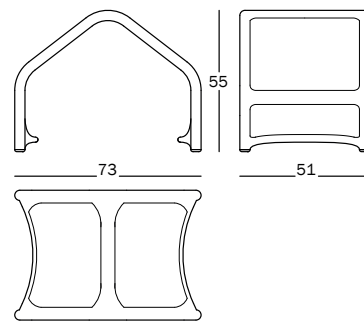


The Roof Chair

Design Spalvieri & Del Ciotto, 2018

Low chair.


Frame in aluminium tube. Central crossbar covered in flexible expanded polyurethane. Cover in polyester.




9403.90.10 | 0,252 m³ | 4,50 kg

Art. nr.	Low chair
MT670	colours

Colours

 orange BT01

 green BT02

Test
Back impact test EN 1729-2:2012
Drop test EN 1729-1:2012
General safety requirements EN 1729
Seat and back static load test EN 1729-2:2012
Seat impact test EN 1729-2:2012