

Little Big chair

design **BIG-GAME** / 2017

Little Big chair is for kids from 2 to 6 six years old. In the education or at home, it is the combination of a light, comfortable plastic shell with sturdy, stable wooden feet. The chair grows with the children, thanks to a simple system that allows the chair to be adjusted to three different heights. It is definitely an object that creates emotional ties – we wanted it to have the qualities of an adult chair, but for children.

It comes in three colors and is easy to grab and move around for adults and children.

materials /

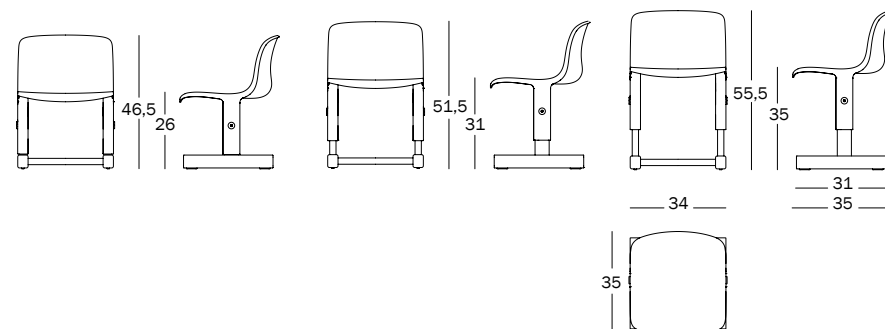
frame in solid ash, natural. Seat in polypropylene.

Adjustable in height.



magisdesign.com

“ Little Big, thinking big for little people. “



colours / ○ ● ● + ●



Frame / Natural ash 7018
Seat / White 1735 C



Frame / Natural ash 7018
Seat / Light blue 1256 C



Frame / Natural ash 7018
Seat / Orange 1086 C

product sheet

BIG-GAME

BIG-GAME is a product and interior design studio created in 2004 by Augustin Scott de Martinville (French), Elric Petit (Belgian) and Grégoire Jeanmonod (Swiss). It is based in Lausanne, Switzerland.

MAGIS me too