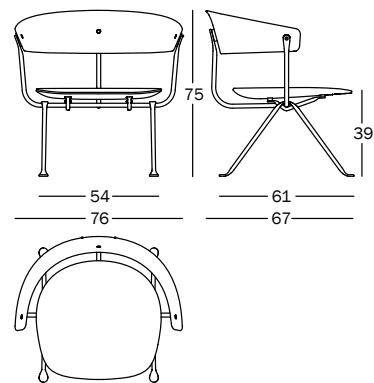


Officina

Design Ronan & Erwan Bouroullec, 2017

Low chair with seat and back in beech plywood.

Frame in wrought iron, galvanized or painted in polyester powder. Complete with felt pads. Seat cushion available (p.167).



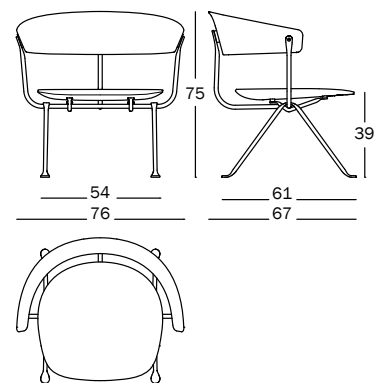
9401.79.00 | 0,434 m³ | 12,60 kg



Art. nr.	Frame in wrought iron	Seat and back in beech plywood
SD2206	galvanized 5250	colours
SD2207	grey anthracite 5142	colours

Low chair with seat and back covered.

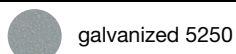
Frame in wrought iron, galvanized or painted in polyester powder. Seat and back covered in fabric (Kvadrat "Divina MD" and "Divina Melange") or in premium-grade leather. Complete with felt pads. Seat cushion available (p.167).



9401.79.00 | 0,434 m³ | 12,60 kg

Art. nr.	Frame in wrought iron	Seat and back covered
SD2202	galvanized 5250	leather
SD2203	grey anthracite 5142	leather
SD2204	galvanized 5250	fabric
SD2205	grey anthracite 5142	fabric

Frame in wrought iron



galvanized 5250



grey anthracite 5142

Seat and back in beech plywood



natural 7011



black 7140

Fabric

Kvadrat Divina Melange 120 / light grey

Kvadrat Divina MD 193 / dark grey

Leather

natural L-0090

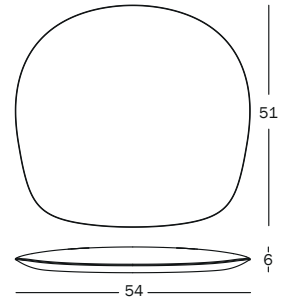
black L-0059

Officina Cushion

Design Ronan & Erwan Bouroullec, 2021

Seat cushion.

In expanded polyurethane (class 11M),
covered in fabric.



9404.90.90 | 0,015 m³ | 1,72 kg

Art. nr.	Cushion cover
----------	---------------

SD2190	fabric cat.1
--------	--------------

SD2190	fabric cat.2
--------	--------------

Fabric

Kvadrat Divina Mélange 120 / light grey

Kvadrat Divina MD 193 / dark grey