

**Little Big** — design Big-Game, 2017



Little BIG chair is for kids from 2 to 6 six years old.

In the kindergarten or at home, it is the combination of a light, comfortable plastic shell with sturdy, stable wooden feet. The chair grows with the children, thanks to a simple system that allows the chair to be adjusted to three different heights. As a first chair, it is definitely an object that creates emotional ties – we wanted it to have the qualities of an adult chair, but for children.

It comes in three colors and is easy to grab and move around for adults and children.

Big-Game

Augustin Scott de Martinville, Elric Petit and Grégoire Jeanmonod



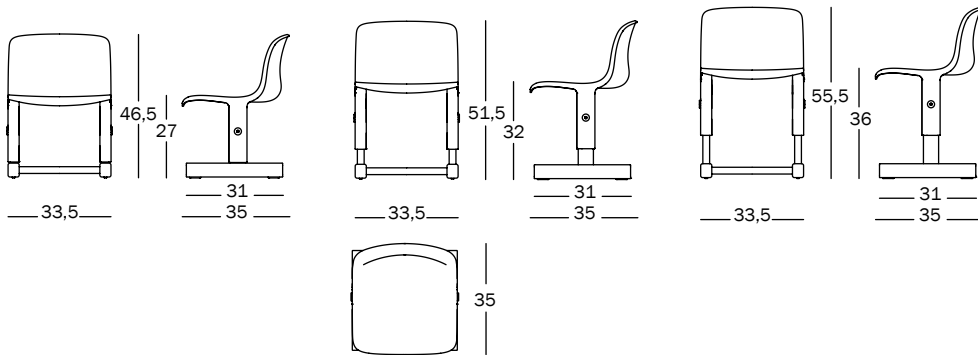
[magisdesign.com](http://magisdesign.com)

**Little Big — design Big-Game, 2017**  
**Technical Sheet**

Chair, adjustable in height.

Material: Frame in solid ash, natural.  
Seat in polypropylene.

Magis Me Too logo is stamped on each product of our collection vouching for their originality.



Frame: Natural Ash  
Seat: Light Blue 1256 C



Frame: Natural Ash  
Seat: Orange 1086 C



Frame: Natural Ash  
Seat: White 1735



[magisdesign.com](http://magisdesign.com)

## Designer



### Big-Game

BIG-GAME is a product and interior design studio created in 2004 by Augustin Scott de Martinville (French), Elric Petit (Belgian) and Grégoire Jeanmonod (Swiss). It is based in Lausanne, Switzerland.



[magisdesign.com](http://magisdesign.com)