

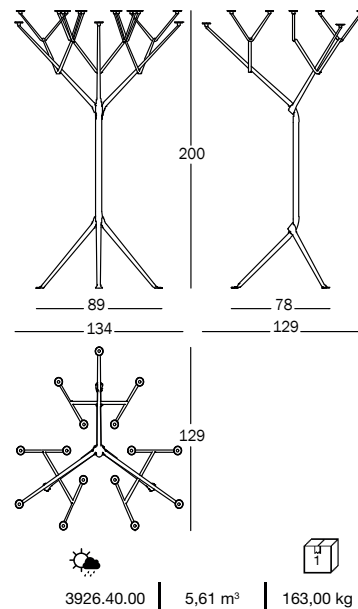
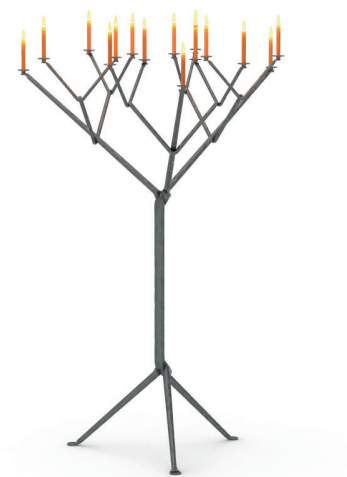
## Officina, Floor Candle Holder Tree

Design Ronan & Erwan Bouroullec, 2017

**Floor candle holder/Tree (15 arms), suitable also for outdoor use.**


Wrought iron, galvanized or cataphoretically treated and painted in polyester powder.  
For candles with a diameter of 23 mm.  
Candles not included.


Available upon request.



Art. nr.	Frame in wrought iron
AC894	galvanized 5250
AC895	grey anthracite 5142

### Frame in wrought iron

 galvanized 5250

 grey anthracite 5142