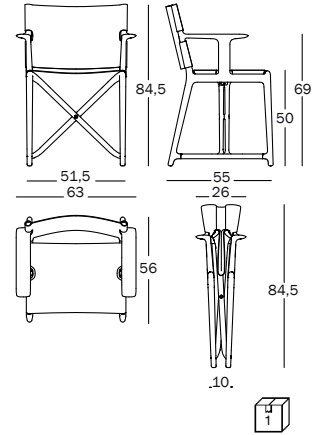


## Stanley

Design Philippe Starck, 2017

### Folding director's chair.

In polypropylene with glass fibre added.  
Seat and back in fabric or leather.



9401.80.00 | 0,202 m<sup>3</sup> | 9,00 kg

Art. nr.	Frame in polypropylene	Seat and back	
SD1930	colours	fabric cat.1	
SD1931	colours	fabric cat.2	
SD1934	black	leather	

Frame in polypropylene	Fabric cat.1	Fabric cat.2	Leather
black 1765 C	Thinny New York- black 0400	Crevin Dolce 53	Panama 5300 / black
white 1735 C	Thinny New York- white 0104	Crevin Dolce 07	
beige 1733 C		Crevin Dolce 75	

**Test**  
ANSI/BIFMA X5.1-2011  
Arm fatigue test EN 1728:2012  
Arm sideways static load test EN 1728:2012  
Information for use EN 16139:2013  
Leg sideways static load test EN 1728:2012  
Seat and back fatigue test EN 1728:2012  
Seat front edge durability test EN 1728:2012  
Stability EN 1022:2005

Arm downwards static load test EN1728:2012  
Arm rest impact test EN 1728:2012  
Back impact test EN 1728:2012  
Leg forward static load test EN 1728:2012  
Safety requirements EN 16139:2013  
Seat and back static load test EN 1728:2012  
Seat impact test EN 1728:2012  
Vertical load on back rest EN 1728:2012

