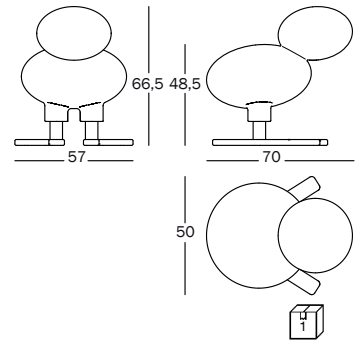


Happy Bird

Design Eero Aarnio, 2015

Abstract plastic bird.

In polyethylene.
Paws in solid ash natural or painted.

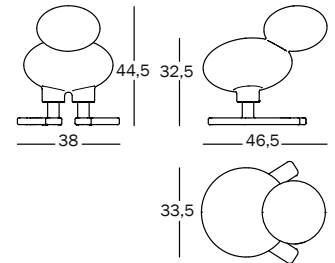


3926.40.00 | 0,286 m³ | 11,50 kg

Art. nr.	Paws in solid ash	Body in polyethylene
MT28	natural 7011	colours cat.1

Abstract plastic bird, suitable for outdoor use.

In polyethylene.



3926.40.00 | 0,086 m³ | 3,60 kg

Art. nr.	Paws in polyethylene	Body in polyethylene
MT430	yellow	colours cat.2

Paws in solid ash	Colours cat.1	Paws in polyethylene	Colours cat.2
natural 7011	orange 1085C	yellow	yellow 1665C
	yellow 1665C		white 1735 C
	white 1735 C		
	dark purple 1133 C		
	curry 1014 C		
	tortora 1795 C		
	light green 1796 C		

Test
Flammability, EN71-2:2011
Mechanical and physical proprieties, EN71-1:2011