

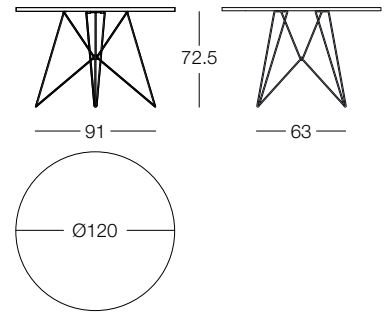
TABLES

XZ3

Design Magis, 1990/2003

Table Ø 120 cm.

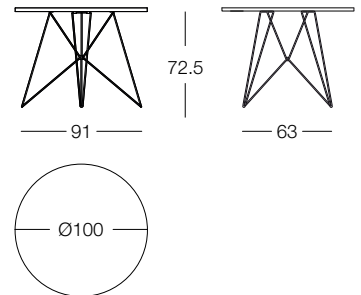
Frame in steel rod chromed or painted in epoxy resin. Top in Carrara marble white, in solid American walnut or in laminated Fenix.



Art. nr.	Frame in steel rod	Top
TV184	TV1586 colours	Laminated Fenix white or black
TV184	TV1586 terracotta	laminated Fenix terracotta
TV184	TV1586 blue	laminated Fenix blue
TV184	TV195 colours	Carrara marble white
TV184	TV197 colours	American walnut

Table Ø 100 cm.

Frame in steel rod painted in epoxy resin. Top in laminated Fenix.



Art. nr.	Frame in steel rod	Top
TV184	TV1576 terracotta	laminated Fenix terracotta
TV184	TV1576 blu	laminated Fenix blue

Frame in steel rod

-  chromed
-  painted white 5108
-  painted black 5140
-  painted blue 5290
-  painted terracotta 5295

Top

-  laminated Fenix white 8500
-  laminated Fenix black 8510
-  laminated Fenix blue 8517
-  laminated Fenix terracotta 8516
-  Carrara marble white
-  American walnut

Top thickness

laminated Fenix: 25 mm

Carrara marble: 20 mm

American walnut: 25 mm