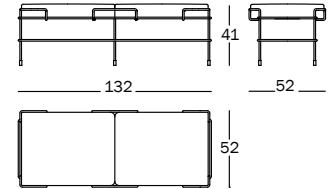


Traffic_2

Design Konstantin Grcic, 2013

Bench (two seater).

Frame in steel rod, painted in polyester powder. Cushions in expanded polyurethane (class 1 IM) covered in leather or in fabric, fully removable. Complete with felt pads.



9401.71.00 | 0,318 m³ | 24,50 kg

Art. nr.	Frame in steel	Cushion upholstered
SD1180	colours	fabric cat.1
SD1181	colours	fabric cat.2
SD1182	colours	fabric cat.3
SD1184	colours	leather

Traffic_2

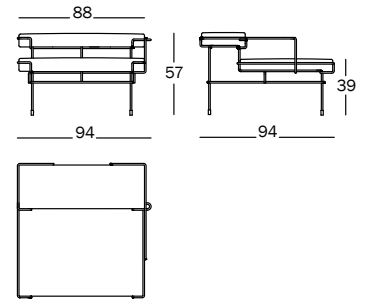
Design Konstantin Grcic, 2013

Platform.

Frame in steel rod, painted in polyester powder. Cushions in expanded polyurethane, fireproof (class 1IM) covered in leather or with removable cover in fabric.

Tablet in acrylic stone available (optional) (p.174).

Complete with felt pads.




9401.71.00 | 0,476 m³ | 29,10 kg

Art. nr.	Frame in steel	Cushion upholstered
SD1190	colours	fabric cat.1
SD1191	colours	fabric cat.2
SD1192	colours	fabric cat.3
SD1194	colours	leather

Frame in steel	Fabric cat.1	Fabric cat.2	Fabric cat.3	Leather
 white 5011	Glamour Azimut	Kvadrat Tonus	Kvadrat Coda	Boxland 7260/ brown
 black 5013		Kvadrat Colline		Boxland 7150 / black
		Kvadrat Tonica		

Test
 Back impact test EN 1728:2012
 Information for use EN 16139:2013
 Leg sideways static load test EN 1728:2012
 Seat and back fatigue test EN 1728:2012
 Seat front edge durability test EN 1728:2012
 Stability EN 1022:2005 Drop test EN 1728:2012
 Leg forward static load test EN 1728:2012
 Safety requirements EN 16139:2013
 Seat and back static load test EN 1728:2012
 Seat impact test EN 1728:2012

 Information on customer's own material from p.397

