

Ettore

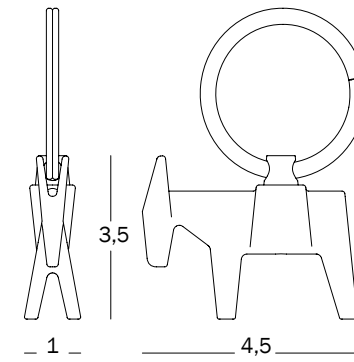
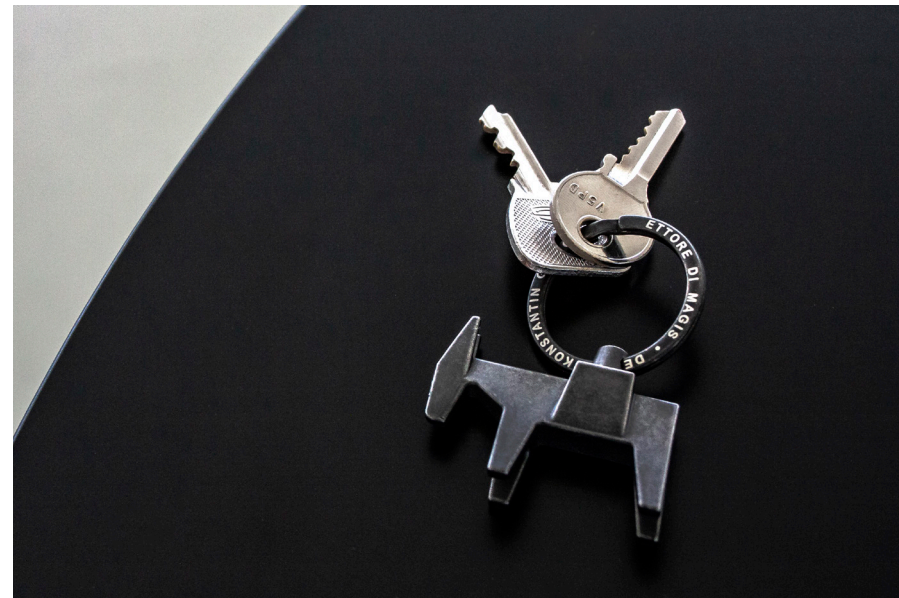
design **Konstantin Grcic** / 2019

Perfectly in line with Magis's essence, courage and spirit, the mule has for years been the emblem of Magis for its essence, courage and spirit.

In 2016 the mule was named Ettore (Hector), like the Homeric hero and turned out a real mule, its legs firmly on the ground, determined and strong, but also loveable and playful. Now Ettore is also a key ring, an essential but refined object, made of stainless steel with a special black wash finish, reminding us another time of the mule and also Magis essence.

material /

in stainless steel.



colours / ●



Black wash