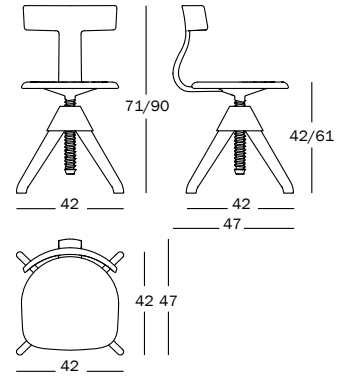


**Tuffy - The Wild Bunch**  
Design Konstantin Grcic, 2014

**Swivel chair, adjustable in height.**



Seat and frame in solid beech natural or stained. Back, joint and screw in polypropylene with glass fibre added. Complete with felt pads.



9401.69.00 | 0,169 m<sup>3</sup> | 7,56 kg

Art. nr.	Seat and frame in solid beech	Back, joint and screw in polypropylene
SD1860	natural 7011	colours
SD1862	black 7140	black 7140

**Seat and frame in solid beech**

-  natural 7011
-  black 7140

**Back, joint and screw in polypropylene**

-  orange 1780 C
-  white 1735 C
-  yellow 1784 C (\*)
-  black 1754 C
-  red 1782 C
-  green 1783 C

**Test**  
ANSI/BIFMA X5.1-2011  
Seat and back fatigue test EN 16139:2013, L2  
Seat front edge durability test EN 16139:2013, L2  
Stability EN 1022:2005  
Back impact test EN 16139:2013, L2  
Seat and back static load test EN 16139:2013, L2  
Seat impact test EN 16139:2013, L2  
Vertical load on back rest EN 16139:2013, L2

(\*)Note: while stocks last

