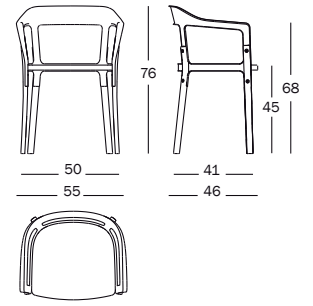


Steelwood Chair

Design Ronan & Erwan Bouroullec, 2008

Chair with arms.

Legs and seat in solid beech, natural or painted or stained, or in solid American walnut natural, or in solid oak, natural or stained.
Frame in steel plate painted in polyester powder. Complete with felt pads.



9401.79.00 | 0,143 m³ | 10,00 kg

Art. nr.	Legs and seat	Frame in steel plate
SD740	beech painted or stained	colours
SD750	beech natural	colours
SD742	American walnut	black 5140
SD753	oak natural or stained	colours

Colour combinations

Seat and back in solid wood natural or painted or stained	beech natural 7011	oak natural 7310	American walnut 7100	beech stained dark 7012	oak stained dark 7311	beech white 7108	beech grey 7119	beech grey anthracite 7120	beech black 7140		
Frame in steel plate painted	white 5108	black 5140	white 5108	grey 5119	black 5140	black 5140	grey anthracite 5142	white 5108	grey 5119	grey anthracite 5142	black 5140

Test
ANSI/BIFMA X5.1-2011
Arm fatigue test EN 15373:2007, L3
Arm sideways static load test EN 15373:2007, L3
Leg forward static load test EN 15373:2007, L3
Seat and back fatigue test EN 15373:2007, L3
Seat front edge fatigue test EN 15373:2007, L3

Arm downwards static load test EN 15373:2007, L3
Arm impact test EN 15373:2007, L3
Back impact test EN 15373:2007, L3
Leg sideways static load test EN 15373:2007, L3
Seat and back static load test EN 15373:2007, L3
Seat impact test EN 15373:2007, L3

Compasso d'Oro 2011

