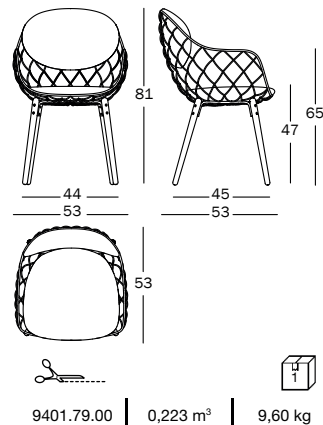


## Piña

Design Jaime Hayón, 2011

### Armchair.

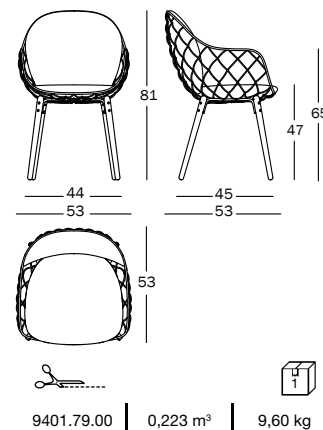
Legs in solid ash natural or painted. Shell in steel rod painted in polyester powder. Seat/back cushion in expanded polyurethane, fireproof (class 1IM) with removable cover in fabric (Kvadrat) or in leather.














Art. nr.	Legs in solid ash	Shell in steel rod	Cushion cover
SD1812	colours	colours	fabric
SD1816	natural 7018	colours	fabric
SD1822	white 7020 o black 7065	white 5108 or black 5140	leather
SD1826	natural 7018	white 5108 or black 5140	leather

### Armchair with full cushion.

Legs in solid ash natural or painted. Shell in steel rod painted in polyester powder. Seat/back cushion in expanded polyurethane, fireproof (class 1IM) with removable cover in fabric (Kvadrat, "Steelcut 2") or in leather.



Art. nr.	Legs in solid ash	Shell in steel rod	Cushion cover
SD1813	colours	colours	fabric
SD1817	natural 7018	colours	fabric
SD1830	white 7020 or black 7065	white 5108 or black 5140	leather
SD1834	natural 7018	white 5108 or black 5140	leather

Legs in solid ash	Shell in steel rod	Fabric	Leather
 white 7020	 white 5108	Kvadrat Steelcut 3 110 / white	Boxland 7750 / white
 blue 7030	 blue 5054	Kvadrat Steelcut 3 775 / blue	Boxland 7150 / black
 grey 7050	 grey 5119	Kvadrat Steelcut 3 140 / grey	
 black 7065	 black 5140	Kvadrat Steelcut 3 190 / black	
 coral red 7070 (*)	 red 5084 (*)	Kvadrat Steelcut 3 550 / coral red (*)	
 natural 7018			

(\*)Note: while stocks last

#### Test

Arm downwards static load test EN 15373:2007, L3  
 Arm rest impact test EN 15373:2007, L3  
 Back impact test EN 15373:2007, L3  
 Leg forward static load test EN 15373:2007, L3  
 Safety requirements EN 15373:2007  
 Seat and back static load test EN 15373:2007, L3  
 Seat impact test EN 15373:2007, L3  
 Vertical load on back rest EN 1728:2012



Information on customer's own material from p.397

Arm fatigue test EN 15373:2007, L3  
 Arm sideways static load test EN 15373:2007, L3  
 Information for use EN 15373:2007  
 Leg sideways static load test EN 15373:2007, L3  
 Seat and back fatigue test EN 15373:2007, L3  
 Seat front edge fatigue test EN 15373:2007, L3  
 Stability EN 1022:2005

