

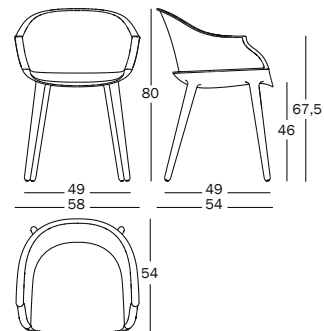
Cyborg

Design Marcel Wanders, 2011

Armchair.

In polycarbonate.


Cushion available (p.23).




9401.80.00 | 0,386 m³ | 9,20 kg


Art. nr.	Frame in polycarbonate	Back in polycarbonate
SD1700	glossy white 1736 C	clear 2540TR
SD1700	glossy black 1763 C	clear 2540TR

Frame in polycarbonate

 glossy white 1736 C

 glossy black 1763 C

Back in polycarbonate

 clear 2540TR

Test

Arm downwards static load test EN 15373:2007, L3
Arm impact test EN 15373:2007, L3
Back impact test EN 15373:2007, L3
Leg forward static load test EN 15373:2007, L3
Safety requirements EN 15373:2007
Seat and back static load test EN 15373:2007, L3
Seat impact test EN 15373:2007, L3
Vertical load on back rest EN 15373:2007, L3

Arm fatigue test EN 15373:2007, L3
Arm sideways static load test EN 15373:2007, L3
Information for use EN 15373:2007
Leg sideways static load test EN 15373:2007, L3
Seat and back fatigue test EN 15373:2007, L3
Seat front edge fatigue test EN 15373:2007, L3
Stability EN 1022:2005

(*)Note: while stocks last

