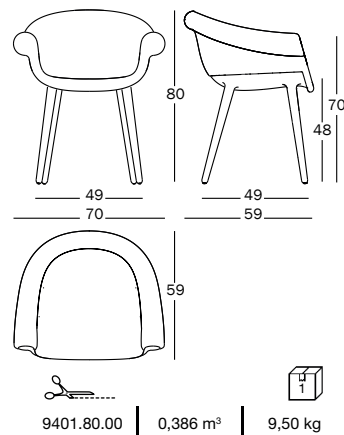


Cyborg Lord

Design Marcel Wanders, 2014

Armchair.

Frame in polycarbonate. Seat and back in expanded polyurethane foam, fireproof (class 11M), covered in fabric (Kvadrat "Divina MD" and "Divina Melange") or leather.



9401.80.00 | 0,386 m³ | 9,50 kg

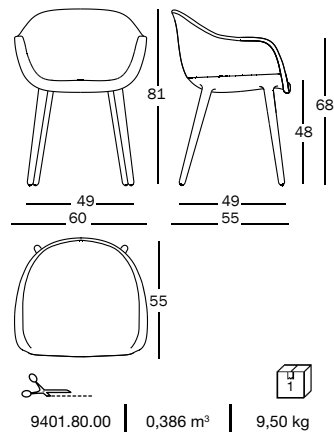
Art. nr.	Frame in polycarbonate	Upholstery
SD1722	colours	fabric cat.1
SD1723	glossy black 1763 C	leather

Cyborg Lady

Design Marcel Wanders, 2014

Armchair.


Frame in polycarbonate. Seat and back in expanded polyurethane foam, fireproof (class 11M), covered in fabric (Kvadrat "Remix 2") or leather.




9401.80.00 | 0,386 m³ | 9,50 kg

Art. nr.	Frame in polycarbonate	Upholstery
SD1724	colours	fabric cat.2
SD1725	glossy black 1763 C	leather

Frame in polycarbonate

 glossy white 1736 C

 glossy black 1763 C

Fabric cat. 1

Kvadrat Divina MD 613 / pink
Kvadrat Divina MD 813 / sky blue
Kvadrat Divina MD 943 / green
Kvadrat Divina MD 203 / beige
Kvadrat Divina Melange 180 / dark grey

Fabric cat. 2

Kvadrat Remix 143 / grey
Kvadrat Remix 612 / pink
Kvadrat Remix 933 / green
Kvadrat Remix 433 / ocher

Leather

Boxland 7150 / black

Test
Arm downwards static load test EN 16139:2013, L2
Arm rest impact test EN 16139:2013, L2
Back impact test EN 16139:2013, L2
Leg forward static load test EN 16139:2013, L2
Safety requirements EN 16139:2013, L2
Seat and back static load test EN 16139:2013, L2
Seat impact test EN 16139:2013, L2
Vertical load on back rest EN 16139:2013, L2
Arm fatigue test EN 16139:2013, L2
Arm sideways static load test EN 16139:2013, L2
Information for use EN 16139:2013, L2
Leg sideways static load test EN 16139:2013, L2
Seat and back fatigue test EN 16139:2013, L2
Seat front edge durability test EN 16139:2013, L2
Stability EN 1022:2005

 Information on customer's own material from p.397

