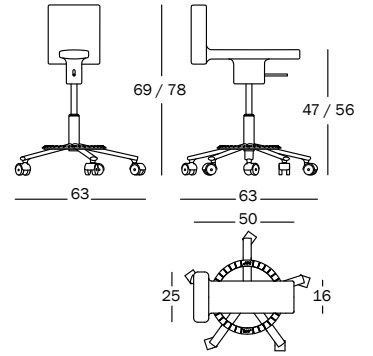



360°

Design Konstantin Grcic, 2009

Swivel chair on 5 wheels.

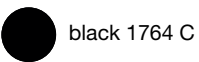
Adjustable in height with gas piston. Frame in steel painted in epoxy resin. Foot-rest in die-cast aluminium. Seat in integral self-bearing polyurethane.



9401.30.00	0,259 m ³ 0,59x0,56x0,78	
		13,00 kg 10,00 kg

Art. nr.	Chair
SD1540	black 1764 C

Colour



Test
Arm fatigue test EN 15373:2007, L3
Back impact test EN 15373:2007, L3
Foot rest static load test EN 1728:2000, L3
Seat and back static load test EN 1728:2000, L3
Seat impact test EN 15373:2007, L3
Vertical load on back rest EN 15373:2007, L3
Arm impact test EN 15373:2007, L3
Foot rest fatigue test EN 15373:2007, L3
Seat and back fatigue test EN 15373:2007, L3
Seat front edge durability test EN 15373:2007, L3
Stability EN 1335-3:2000