

Steelwood Shelving System — design Ronan & Erwan Bouroullec, 2009



Designers in Magis

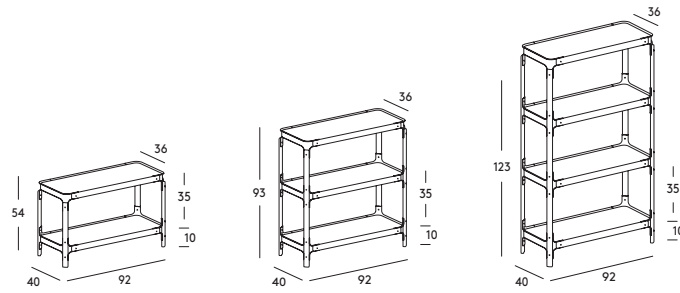
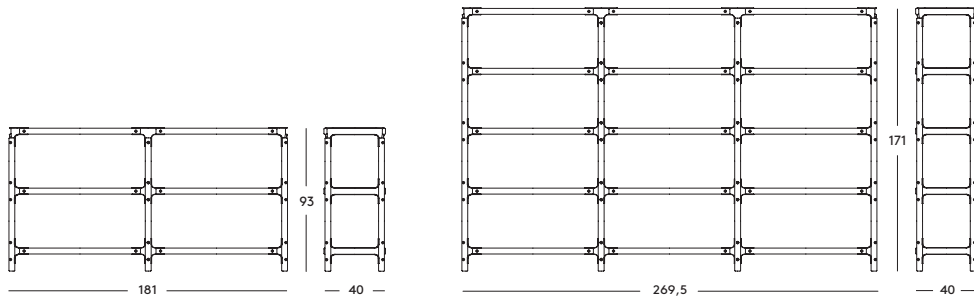


Steelwood Shelving System — design Ronan & Erwan Bouroullec, 2009
 Technical Sheet

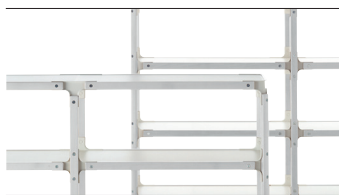
Shelving system

Material: frame (uprights and crosspieces) in solid beech, natural or painted. Joints in steel plate painted in polyester powder. Shelves in painted MDF.

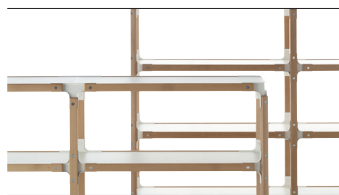
Magis logo is stamped on each product of our collection vouching for their originality.



Examples of compositions



Frame: Beech painted White
 Joints + Top: White 8500



Frame: Natural Beech
 Joints + Top: White 8500



Frame: Beech painted Black
 Joints + Top: Black 8510

FATIGUE, LOAD AND IMPACT TESTS

ANSI/BIFMA X5.9-2004



magisdesign.com

The information included in this product sheet are based on the last data in our current pricelist. Magis reserves the right to modify the products without notice.

Designers



Ronan & Erwan Bouroullec

Ronan and Erwan Bouroullec have been working together for about ten years now. Their collaboration is a permanent dialogue, nourished by their distinct personalities and a shared notion of diligence, with the intention to achieve greater balance and refinement. The Bouroullecs have been working with Magis since 2004, designing two complete furniture collections as well as other projects. These days, Ronan and Erwan Bouroullec design for numerous manufacturers and they also continue to carry out their own experimental activity which is essential to the development of their work at Galerie Kreo, Paris, where four exhibitions of their designs

were held between 2001 and 2012. They also embark on occasional architectural projects.

