

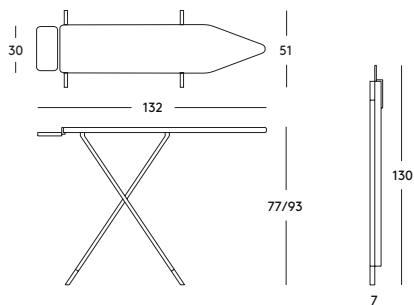
Amleto — design Design Group Italia, 1992
Technical Sheet



Folding ironing board

Material: frame in anodised aluminium matt natural. Iron-holder in silicon rubber. Top in cathaphoretically treated metal sheet with cover in polyester and fabric in cotton. Wall hook available.

Magis logo is stamped on each product of our collection vouching for their originality.



Wall hook

Feet, handle, ironholder: Grey Anthracite
Fabric: Light Grey



magisdesign.com

Designer



Design Group Italia

Design Group Italia is an example of Italian professional eclecticism with an international vocation, which has accomplished highly successful projects for a large number of customers around the world.

Design Group Italia's professional vision is sensitive to the demands of the market and of industrial production processes, combining that receptiveness with an acute awareness of the possibilities and fruits offered by the latest technological advances of the moment.

The ultimate objective is always to make a product that is truly innovative yet simple to produce, pleasant and easy to use, and a market winner.

